

Fitting Instructions

Revo Intercooler Kit VAG 2.0 TFSI/TSI MK5/6 Chassis

Fitting Difficulty



Dealer Fit Recommended

Contents

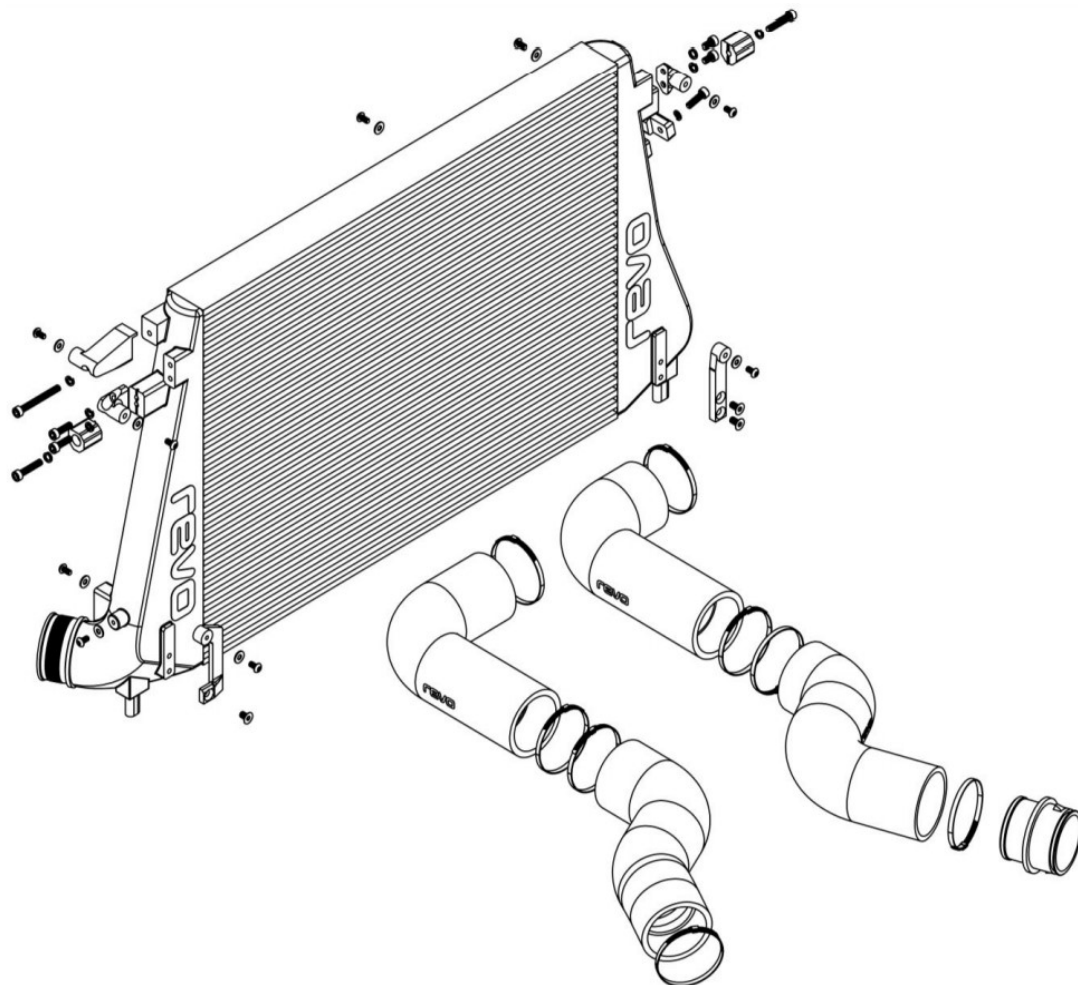
Description	Quantity
Revo Intercooler	1
Revo Intercooler Bracket Kit	1
Revo Intercooler Hose Kit	1
60-80 Hose Clamp	4

Recommended Tools

Tools	Size
Ratchet	
Sockets	7, 8, 10, 16mm
Torx Bits	T25, T30
Hex Key	4, 5mm
Wobble Extension	
Cross Head Screwdriver	Medium
Flat Head Screwdriver	Medium
Constant Tension Pliers	
Gearbox Stand/Hydraulic Jack	
Block of Wood	50x100mm or equivalent



Before starting, please ensure that the engine is cool and the battery is disconnected. Engine temperatures can remain high for a substantial amount of time after use.



Fitting Instructions

Revo Intercooler Kit VAG 2.0 TFSI/TSI MK5/6 Chassis

Fitting Difficulty

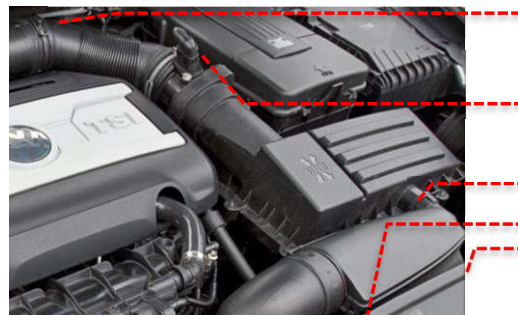


Dealer Fit Recommended

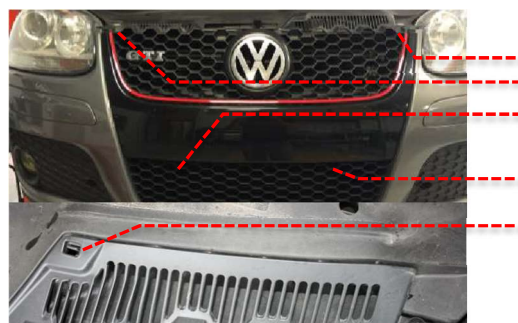


Installation was performed on a MK5 Golf GTI (TSI). Installation on other vehicles will be similar but may not be exact.

- 1 Remove the front and main airbox section. Start by loosening the hose clamp at the front of the turbo inlet pipe. Remove the 2 x T25 screws on the front airbox section. Disconnect the secondary air pump feed (if fitted). Disconnect the air flow sensor and pull the main airbox directly upwards to disengage from the rubber mounts. Set the airbox aside.



- 2 Remove the 2 x T25 screws from the top of the grille and the 2 x cross head screws from the lower section of the grill. Unclip the grille at the top connection points, gently pull the grille forward and remove it. Set it aside.



- 3 If fitted, use an 8mm socket to remove the bolt that holds the noise pipe to the slam panel.



- 4 Use a small flat head screwdriver to open the bonnet release cable housing from the inner wing. Carefully remove the ball-socket connection and set both cable ends out of the work area.



- 5 Raise the vehicle to allow access to the underside.

Fitting Instructions

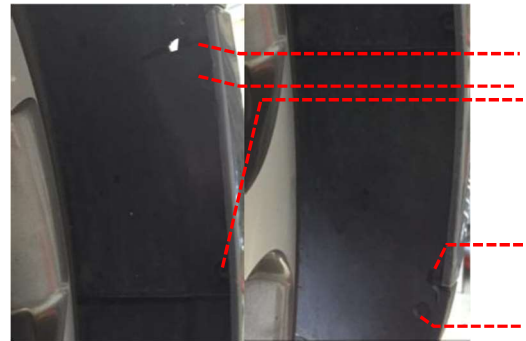
Revo Intercooler Kit VAG 2.0 TFSI/TSI MK5/6 Chassis

Fitting Difficulty



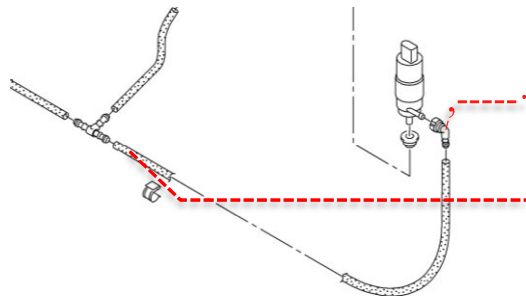
Dealer Fit Recommended

- 6 Remove the 5 x T25 screws that attach the wheel arch liner, bumper cover and wing together. Repeat on the opposite side of the vehicle.

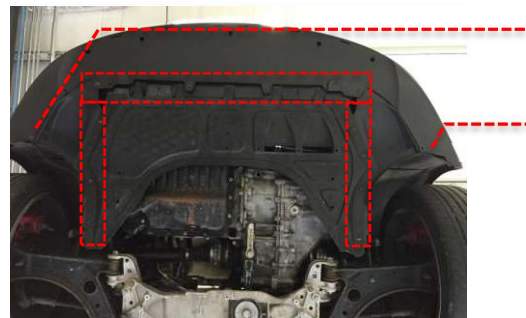


- 7 If fitted, clamp the headlight washer feed tube and disconnect the headlight washer on each side.

Note: this will drain washer fluid from the washer pipes, use a suitable container to collect the leaking fluid.

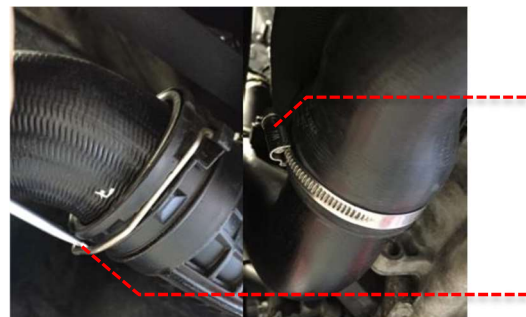


- 8 Remove the undertray. If fitted, disconnect the front fog lights.



- 9 Using a 7mm socket and a flat head screwdriver, remove both OE boost hoses by removing the throttle hose clamp and 3 x clip connections. Disconnect the hoses at the clip connections by prying each clip up, as shown, while pulling the hose connection out of the socket.

Note: take care not to damage the green O-ring at the discharge pipe connection as this O-ring will be reused later with the Revo kit.



Fitting Instructions

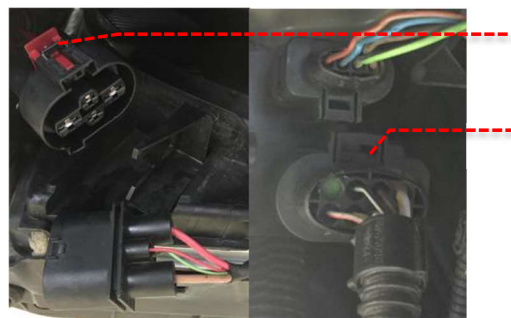
Revo Intercooler Kit VAG 2.0 TFSI/TSI MK5/6 Chassis

Fitting Difficulty



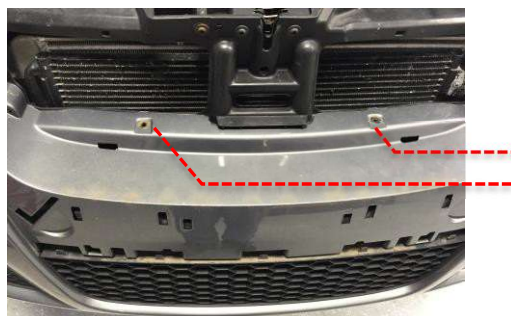
Dealer Fit Recommended

- 10 Locate the radiator fan connector on the frame rail within the engine bay and carefully slide the red tab upward, then unplug and move the connector out of the working area. If applicable, disconnect the front bumper harness plug to free the remaining bumper cover electrical loom from the chassis. Note: if this plug is not present the fog lights, side lights and ambient temperature sensor will need to be unplugged individually and each electrical loom released from the bumper cover.



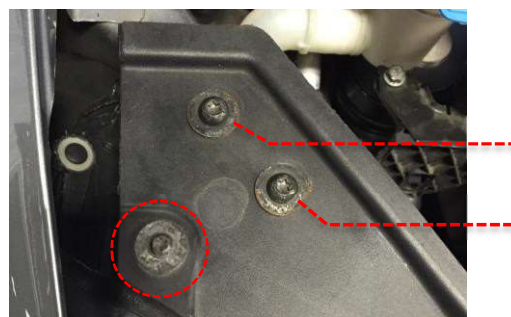
- 11 Remove the 2 x T30 screws and remove the bumper cover.

Note: with one person either side of the bumper, remove the front bumper and store safely so as not to damage any paintwork.



- 12 Remove the 2 x T30 screws on the both sides of the slam panel.

Note: do not remove the headlight fixing bolts (circled).



- 13 Remove the 2 x T25 screws that hold the bumper cover supports. Remove the support piece and repeat on the opposite side of the vehicle. Set both parts aside.



Fitting Instructions

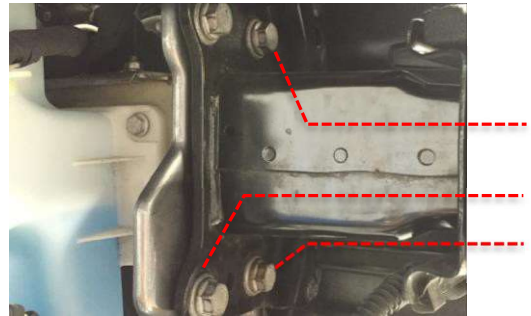
Revo Intercooler Kit VAG 2.0 TFSI/TSI MK5/6 Chassis

Fitting Difficulty

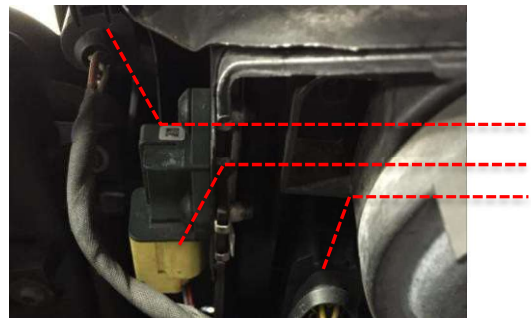


Dealer Fit Recommended

- 14 Using a 16mm socket and extension remove 3 x bumper flange bolts. Only loosen the upper, outer flange bolt leaving 4-5 threads still in the chassis to allow it to support the radiator assembly. Repeat on the opposite side of the vehicle and carefully pull the assembly forward to the end of the 2 x remaining bolts. Note: be careful not to damage the threads.

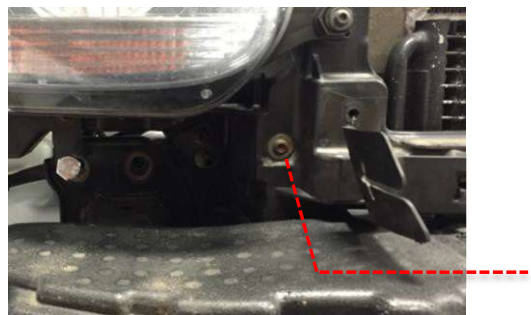


- 15 With the core support moved forward, disconnect the air conditioning high pressure sensor, bonnet latch sensor, yellow crash bar sensors (one each side) and both headlight connectors.



- 16 Using a gearbox stand/hydraulic jack and a piece of wood support the underside of the core support to allow removal of the crash bar. Remove the remaining 2 x bumper flange bolts and remove the crash bar, set it aside.

- 17 Remove the 2 x T30 screws that hold the black intercooler support brackets (1 x each side).



Fitting Instructions

Revo Intercooler Kit VAG 2.0 TFSI/TSI MK5/6 Chassis

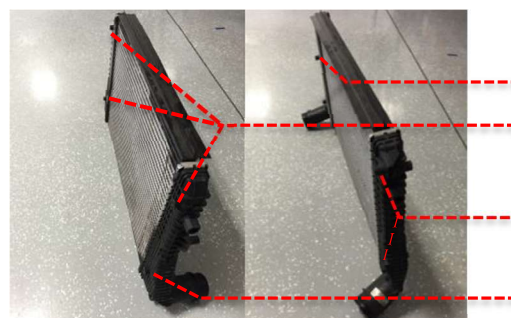
Fitting Difficulty



Dealer Fit Recommended

18 With assistance, hold the core support and lean the radiator assembly toward the engine. Lift the radiator assembly up, out of the core support and remove the core support. Set it aside out of the work area. Carefully place the radiator assembly back on the gearbox stand/hydraulic jack, to support it.

19 Remove 8 x T30 screws that hold the radiator/condenser to the OE intercooler. Carefully separate both heat exchangers from the OE intercooler and remove the intercooler. Set aside, outside of the working area.



20 Use the technical drawings at the end of these instructions to aid with correct installation. Using a 4mm and 5mm hex key sockets, install all brackets onto the Revo intercooler and leave loose at this stage. Set all M5 button head bolts/washers to one side.

21 Install the Revo intercooler between the air conditioning condenser and the radiator. Bolt both heat exchangers to the Revo intercooler using the 9 x M5 button head bolts and washers (supplied) using a 4mm hex key socket. Install each M5 bolt loosely until all 9 have been installed. Tighten all M5 bolts to 6Nm.

22 Remove the black OE intercooler brackets from the OE intercooler and install onto the Revo intercooler, ensuring both brackets are installed in the same orientation as removed. Now tighten the brackets left loose in step 20 to 8Nm.

Fitting Instructions

Revo Intercooler Kit VAG 2.0 TFSI/TSI MK5/6 Chassis

Fitting Difficulty



Dealer Fit Recommended

23 With assistance, lift the radiator assembly up and install the core support using 2 of the core support bolts placed in the upper, outer holes. Carefully place the radiator assembly on the bottom edge of the core support.

24 With assistance, lift the intercooler assembly up and guide the Revo intercooler tabs into the 2 x bottom core support grommets as the radiator assembly is lowered down.



25 Lean the top of the radiator assembly into the core support. Be sure that the black intercooler support brackets slide into the core support channels, as shown.



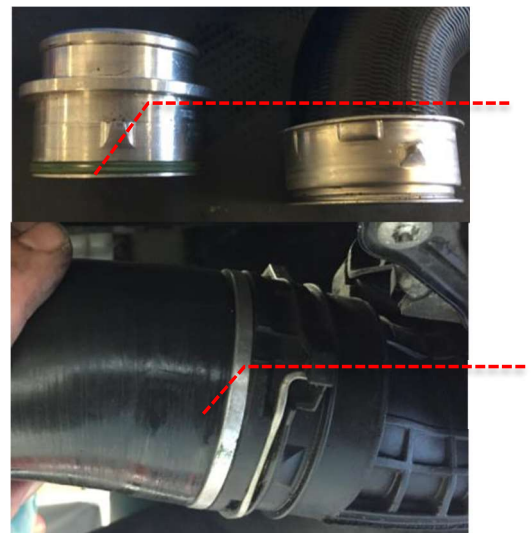
26 Refit all OE parts back to vehicle, replacing the OE boost hoses with the Revo boost hoses and clamps (supplied). Reinstallation is the reverse of removal. Follow any factory torque specification during reinstallation of OE parts. Check all sensors/electrics are reconnected. Also check bonnet release cable is refitted.

Note: refer to the technical drawing to determine the correct hoses required for the vehicle.

When installing the Revo boost hoses use the green O-ring from the OE discharge hose and install onto the Revo coupler, as shown. Ensure the O-ring does not have any kinks/twists when installed.

When installing the Revo discharge hose, install the coupler into the OE discharge pipe first, ensuring it is fully seated and locked onto the pipe. Install the Revo hose so the logo is right-side up and rotate the hose until there are no visible kinks and each end is fully seated to the Revo intercooler/coupler, as shown

Test drive the vehicle to ensure vehicle performs correctly and there are no leaks/part interference during operation. Your installation is now complete!



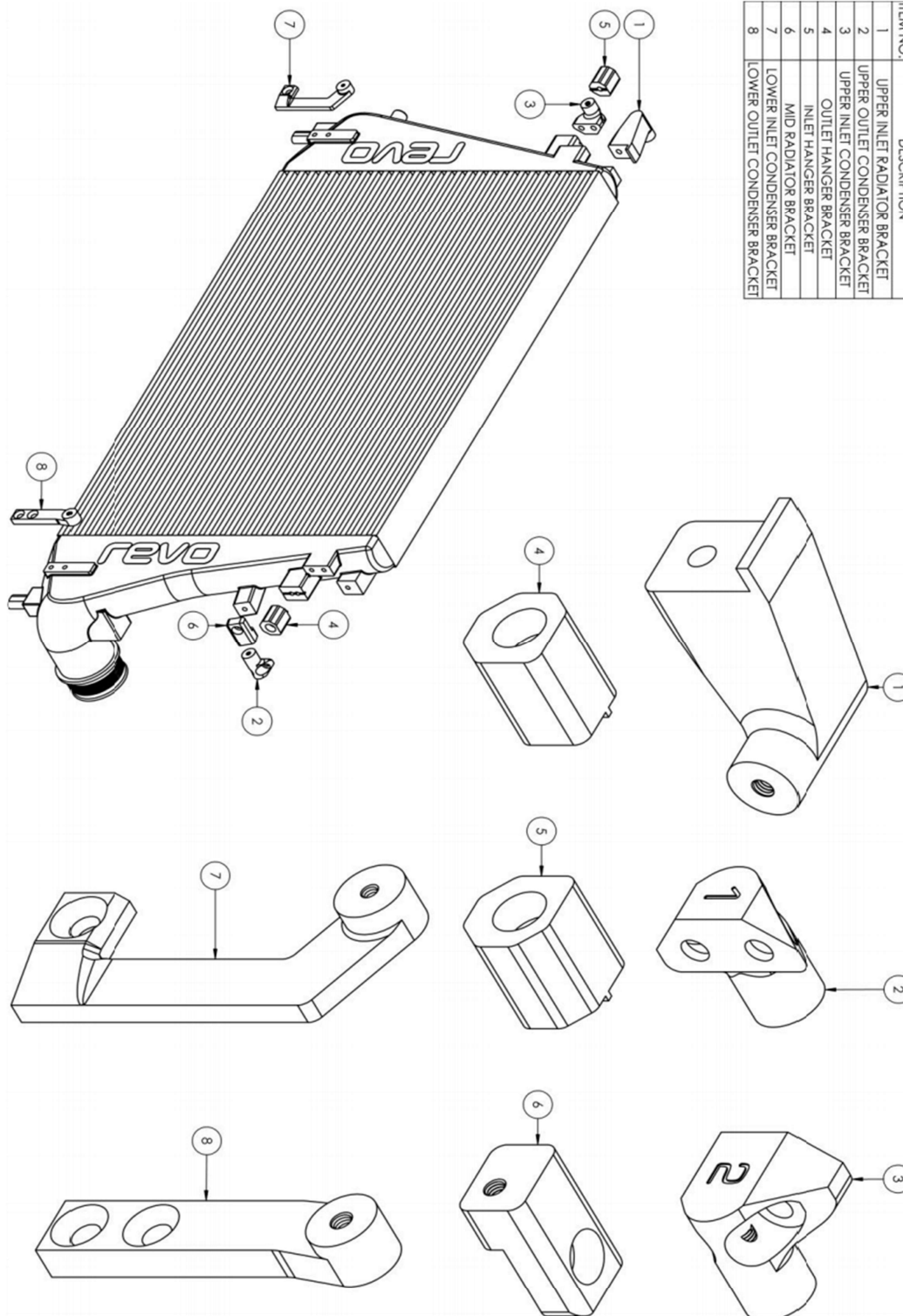
Fitting Instructions

Revo Intercooler Kit VAG 2.0 TFSI/TSI MK5/6 Chassis

Fitting Difficulty



Dealer Fit Recommended



ITEM NO.	DESCRIPTION
1	UPPER INLET RADIATOR BRACKET
2	UPPER OUTLET CONDENSER BRACKET
3	UPPER INLET CONDENSER BRACKET
4	OUTLET INLET BRACKET
5	INLET HANGER BRACKET
6	MID RADIATOR BRACKET
7	LOWER INLET CONDENSER BRACKET
8	LOWER OUTLET CONDENSER BRACKET

Fitting Instructions

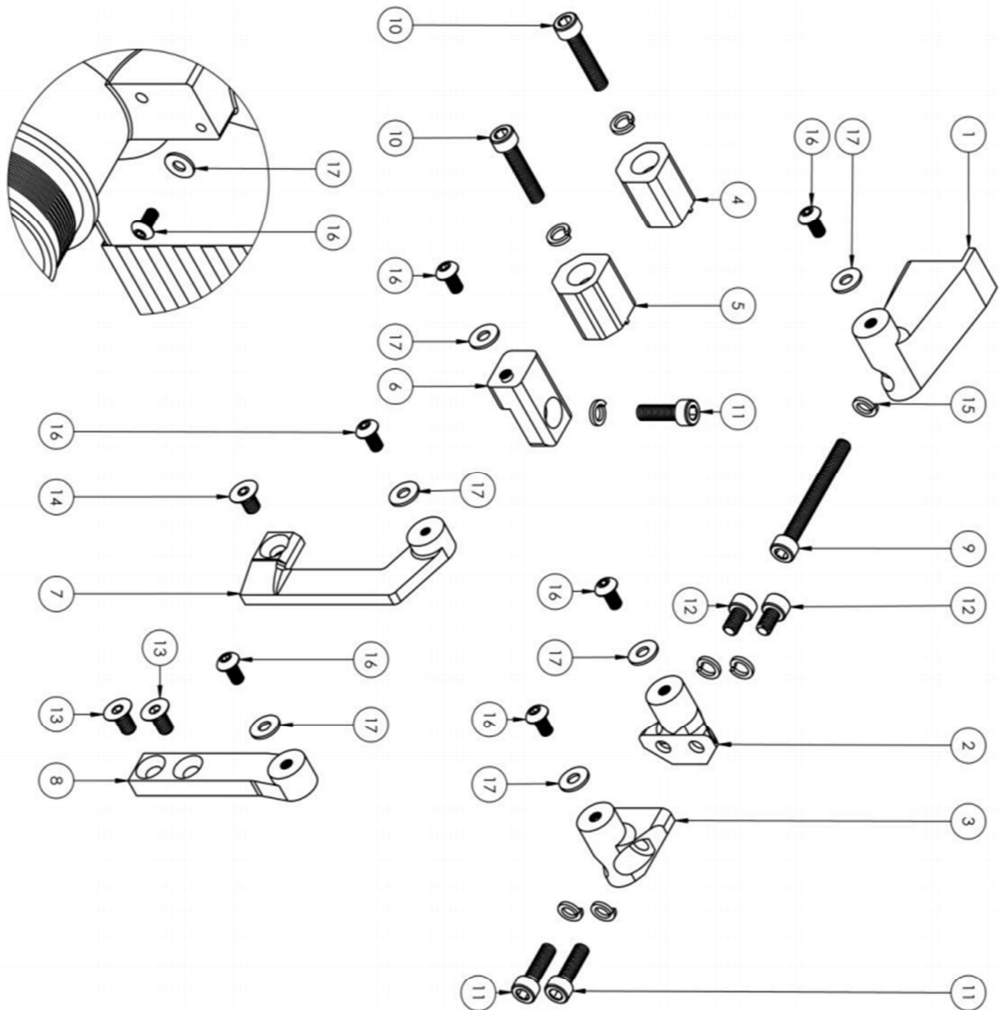
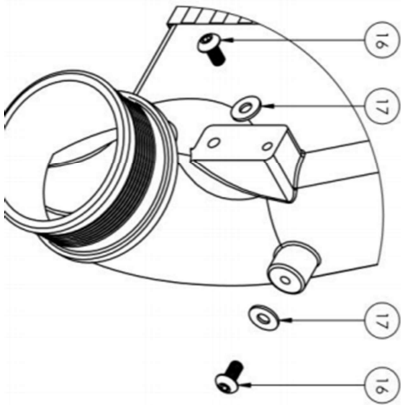
Revo Intercooler Kit VAG 2.0 TFSI/TSI MK5/6 Chassis

Fitting Difficulty



Dealer Fit Recommended

ITEM NO.	DESCRIPTION	QTY.
1	UPPER INLET RADIATOR BRACKET	1
2	UPPER OUTLET CONDENSER BRACKET	1
3	UPPER INLET CONDENSER BRACKET	1
4	OUTLET HANGER BRACKET	1
5	INLET HANGER BRACKET	1
6	MID RADIATOR BRACKET	1
7	LOWER INLET CONDENSER BRACKET	1
8	LOWER OUTLET CONDENSER BRACKET	1
9	STAINLESS STEEL M6 x 1.0 x 55MM SHCS	1
10	STAINLESS STEEL M6 x 1.0 x 30MM SHCS	2
11	STAINLESS STEEL M6 x 1.0 x 20MM SHCS	3
12	STAINLESS STEEL M6 x 1.0 x 10MM SHCS	2
13	STAINLESS STEEL M6 x 1.0 x 12MM FHSCS	2
14	STAINLESS STEEL M6 x 1.0 x 10MM FHSCS	1
15	STAINLESS STEEL M6 SPLIT-LOCK WASHER	8
16	STAINLESS STEEL M5 x 0.8 x 10MM BHSCS	9
17	STAINLESS STEEL M5 FLAT WASHER	9



Fitting Instructions

Revo Intercooler Kit VAG 2.0 TFSI/TSI MK5/6 Chassis

Fitting Difficulty



Dealer Fit Recommended

ITEM NO.	DESCRIPTION	QTY.
1	TFSI INLET HOSE	1
2	TSI INLET HOSE	1
3	HOSE COUPLER	1
4	MANUAL TRANSMISSION OUTLET HOSE	1
5	AUTOMATIC TRANSMISSION OUTLET HOSE	1

